

FDV

- Compact form
- Optimal sealing
- Simple construction
- Minimal pressure loss
- Available with flange or pipe fittings
- Flanges drilled in accordance with PN10, ANSI* 150 lbs and JIS**
- Cast iron, aluminium or 316 stainless steel
- Versions conforming to ATEX 94/9/EC available



FDV-P



FDV-F

FDV Flap Type Diverter

The DMN-WESTINGHOUSE flap type diverters have been designed to divert powders and pellets in dilute phase pneumatic conveying systems.

The FDV is available in two versions: the FDV-F type with flange fittings and the FDV-P type with pipe fittings. Both versions are available in aluminium, cast iron and stainless steel, in the ranges 50 - 250 for the FDV-F and in the ranges 50 - 150 for the FDV-P. Larger models are available on request.

For the FDV there are 4 operating modes: a pneumatic cylinder assembly, a pneumatic actuator assembly, an electrical actuator and hand operation.

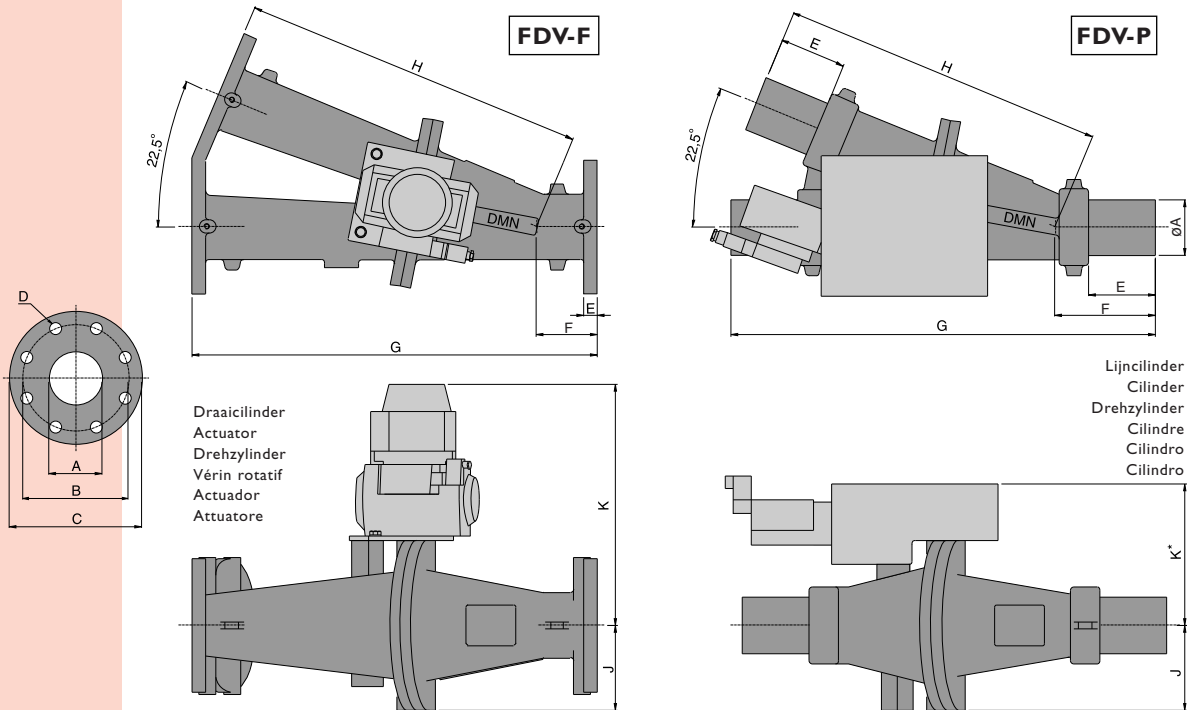
Product information

The parabolic style blade of the diverter can be fitted with a wear resistant or food quality polyurethane seal, providing a virtually leak proof unit.

The FDV diverter can be used in systems with positive pressures up to 2 bar g and negative pressures up to 300 mbar g. The standard polyurethane flap can be used for temperatures up to 80 °C. Options for higher temperatures are available on request.

* American National Standards Institute

** Japanese Industrial Standard



DMN-WESTINGHOUSE have been designing and manufacturing rotary valves, diverter valves and other related components for the bulk solids handling industry for more than 30 years. Offering tailor made solutions for chemical, food, plastics and pharmaceutical industries, DMN-WESTINGHOUSE products are distributed worldwide. Besides an extensive range of standard components, we supply USDA accredited sanitary versions and ATEX approved explosion-proof models.

An extensive network of subsidiaries, distributors and representatives ensures a high level of service and support all over the world.

Type	FDV-F									
	DIN			ANSI			E	F	G	H
	ØA	ØB	D	ØC	ØB	D				
50	50	125	4xØ18	165	120,6	4xØ19	12	90	520	430
65	65	145	4xØ18	185	139,7	4xØ19	12	90	570	480
80	80	160	8xØ18	200	152,4	4xØ19	12	90	610	520
100	100	180	8xØ18	220	190,5	8xØ19	12	90	660	570
125	125	210	8xØ18	250	215,9	8xØ22,2	12	95	740	645
150	150	240	8xØ22	285	241,3	8xØ22,2	12	105	840	735
200	200	295	8xØ23	343	298,4	8xØ22,2	24	45	925	880
250	250	350	12xØ23	406	361,9	12xØ25,4	24	54	1070	1016

Type	FDV-P								
	ØA(AISI)	ØA(St37)	E	F	G	H	J	K	K*
50	Ø54x2	Ø54x2,6	100	150	540	390	103	321	183
65	Ø70x2	Ø70x2,9	100	150	540	390	110	328	190
80	Ø84x2	Ø88,9x4	100	150	637	487	128	363	215
100	Ø104x2	Ø108x3,6	100	150	670	520	143	376	230
125	Ø129x2	Ø133x4	100	153	715	562	165	410	252
150	Ø154x2	Ø159x4,5	100	163	735	572	185	430	272
200							215	484	315
250							250	519	350

Other pipe diameters on request

Head Office:
DMN Machinefabriek Noordwykerhout BV
 PO Box 6, NL - 2210 AA Noordwijkerhout, Holland
 Tel. +31 252 361 800
 Fax +31 252 375 972/934
 dmn@dmn-nw.nl

DMN Incorporated
 3895 South Perkins Road, Suite 8
 Memphis, TN 38118, USA
 Tel. +1 901 360 1537
 Fax +1 901 360 0348
 dmnfo@dmn-inc.com

DMN UK Ltd
 Unit 1&2, Harris Road,
 Porte Marsh Industrial Estate
 Calne, Wiltshire, SN 11 9PT, UK
 Tel. +44 1249 818 400
 Fax +44 1249 818 410
 dmn@dmnuk.com

DMN Schüttguttechnik GmbH
 Rütgersstrasse 8
 D-21244 Buchholz i.d. Ndh, Germany
 Tel. +49 4181 931 40
 Fax +49 4181 931 490
 dmn@dmn-schuettingtechnik.de

DMN France SAS
 65, rue Charles de Gaulle
 91330 Yerres, France
 Tel: +33 1 69 49 85 70
 Fax: +33 1 69 49 85 79
 dmnfrance@wanadoo.fr