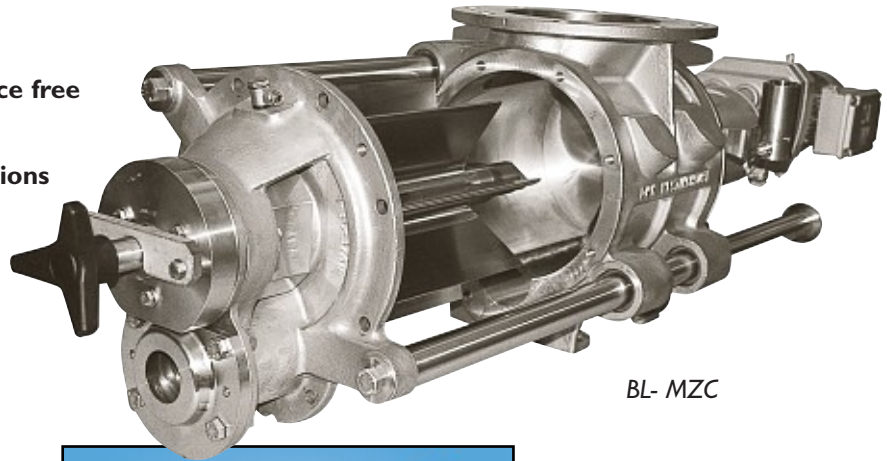


MZC

- Supporting bars for easy removal of rotor and end cover
- Direct drive or chain drive
- Narrow, flexible and maintenance free construction with direct drive
- Hygienic, USDA* approved versions
- Explosion shock resistant and flame proof versions
- Increased safety at work
- Special blow through versions for cyclone and spray drier applications
- Blow through versions with enlarged inlet available
- Flameproof versions available suitable for St2 products
- Versions conforming to ATEX 94/9/EC available



BL- MZC



AL- MZC



MZC valves

Due to the success in sanitary applications the MZC valves are now available in several versions and materials.

The unit has an easy detachable rotor which can be removed within a few minutes to facilitate inspection and cleaning. The configuration with direct drive has a very narrow construction, especially in the blow through (BL) version where the conveying line passes underneath the drive. The direct drive, in conjunction with a frequency inverter, results in a very flexible and maintenance free unit (no chains or grease).

The extraction mechanism offers a high degree of operator safety and gives the line operators considerable flexibility in cleaning and maintaining the equipment between runs.

The MZC valves are available in 6 sizes covering a capacity range of the rotor from approximately 2,5 to 58 litre per revolution at 100 % filling.

Product information

The MZC valves are supplied in cast iron and 316 stainless steel. Variations such as nickel and chrome plating and Tungsten coating are equally available.

Rotors for every application are available, such as reduced capacity, scalloped fixed vaned, end disc etc. The rotor clearance has a high accuracy and tight tolerances. The end covers have outboard bearings, lubricated and sealed for life. Eight different types of shaft sealing are available.

For special applications internal and external mirror polishing of the valve is possible. For the blow through valve tri-clamp connections are available.

The standard models are suitable for temperatures up to 150 °C and a pressure up to 1,5 bar g. Some versions are explosion shock resistant and flame proof up to 10 bar g pressure.

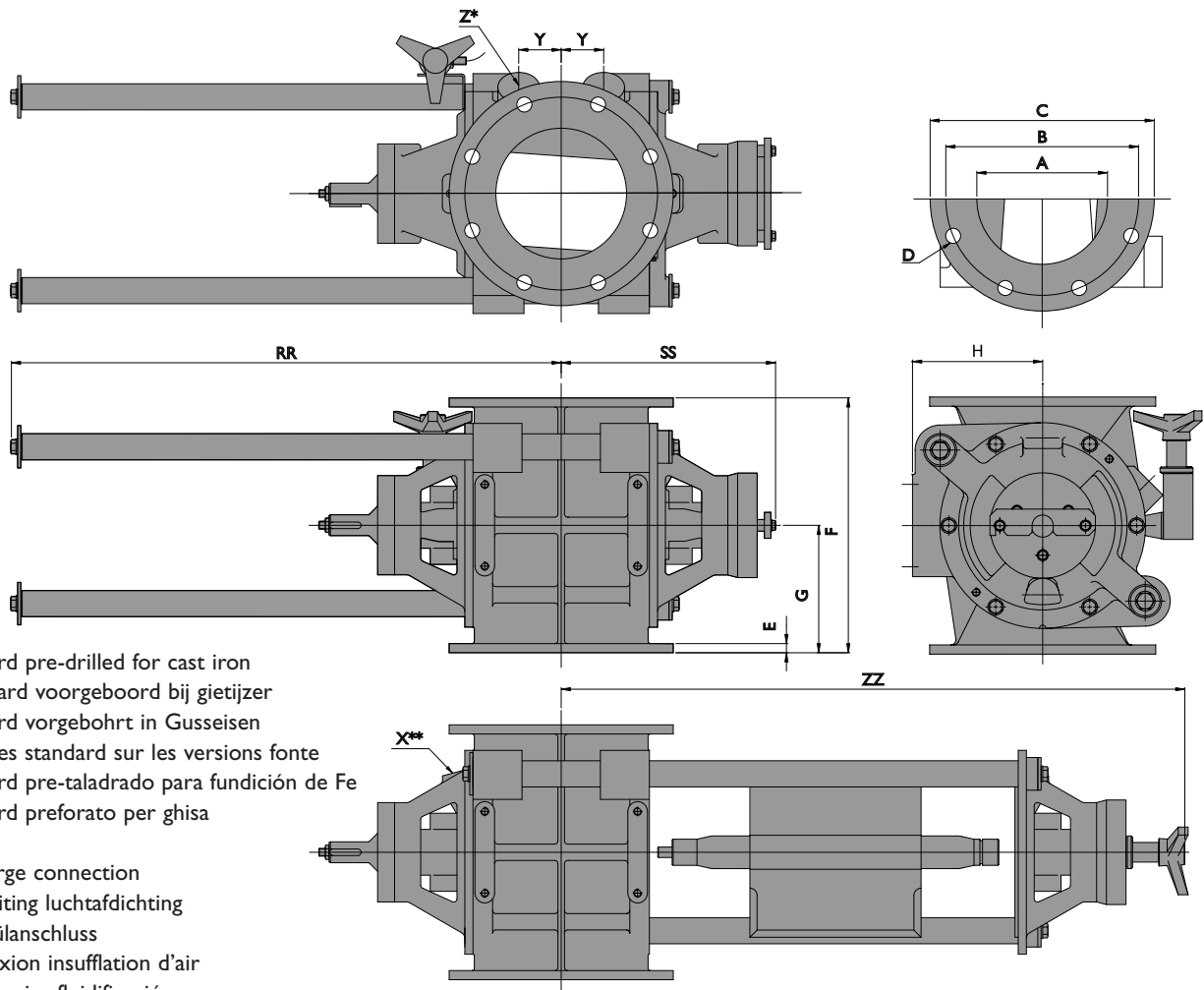
For applications where inlet size is more important than capacity, a range of blow through valves with an enlarged inlet is available in aluminium and 316 stainless steel.

*United States Department of Agriculture

AL-MZC

Dimensions AL MZC & AL Dairy MZC

AL.M.07.00.C



* Standard pre-drilled for cast iron
 Standaard voorgeboord bij gietijzer
 Standard vorgebohrt in Gusseisen
 Perçages standard sur les versions fonte
 Standard pre-taladrado para fundición de Fe
 Standard preforato per ghisa

** Air purge connection
 Aansluiting luchtdichting
 Luftspülanschluss
 Connexion insufflation d'air
 Entrada aire fluidificación
 Ingresso aria di flussaggio

Type AL	Ltr/rev	ØA	DIN			ANSI		E	F	G	H	X**	Y
			ØB	D	ØC	ØB	D						
150	2,5	150	240	8xØ23	285	241,3	8xØ22,2	12	280	140	143	1/4" (Ø10)	40
175	5,5	175	270	8xØ23	315	—	—	14	330	165	165	1/4" (Ø10)	53
200	10,5	200	295	8xØ23	343	298,4	8xØ22,2	14	390	195	198	1/4" (Ø10)	65
250	19	250	350	12xØ23	406	361,9	12xØ25,4	16	450	225	223	1/4" (Ø10)	75
300	34	300	400	12xØ23	483	431,8	12xØ25,4	21	540	270	225	3/8" (Ø10)	95
350	58	350	460	16xØ23	530	476,2	12xØ28,6	26	660	330	270	3/8" (Ø10)	112

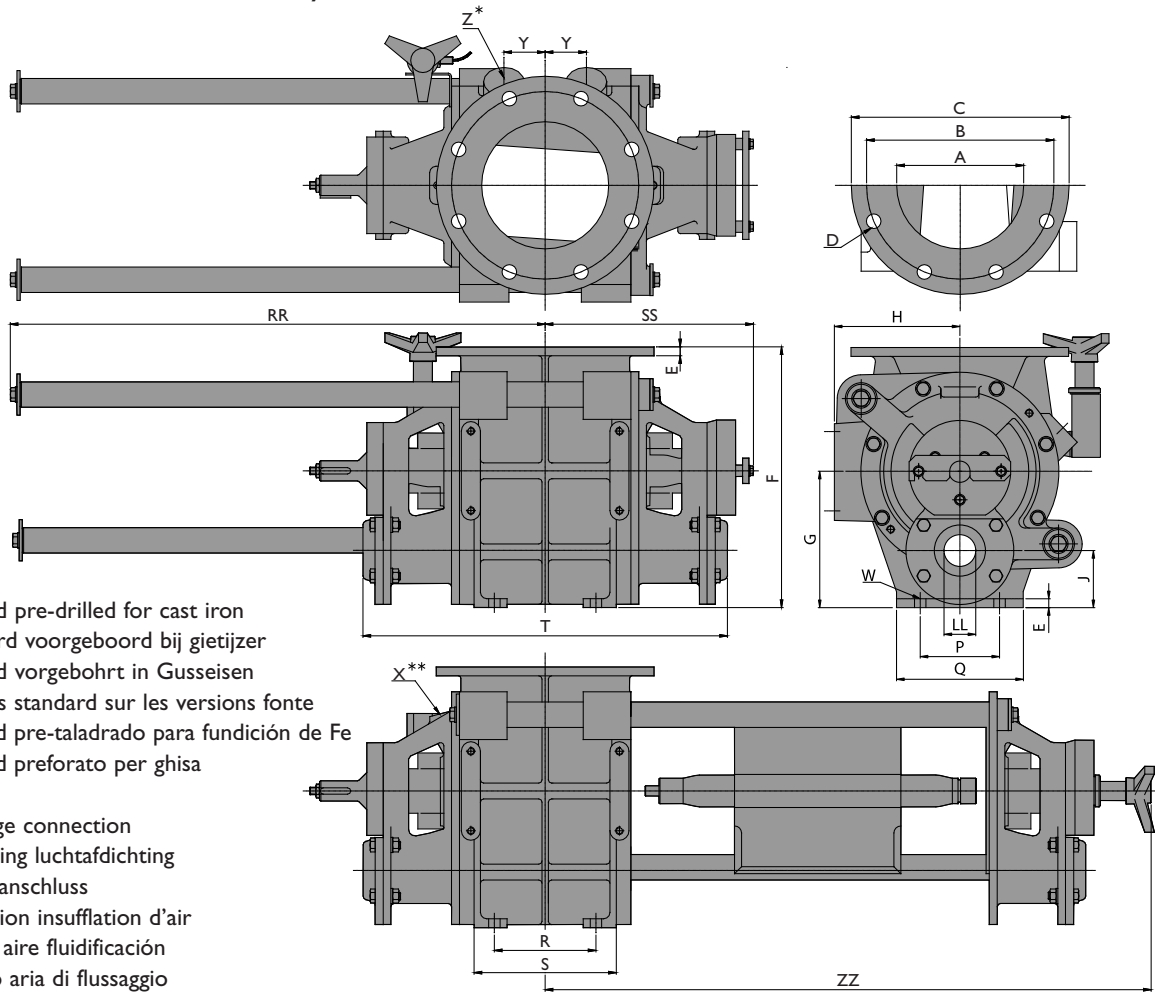
Type AL	Z*	Z Dairy*	RR	SS	ZZ
150	3/4"	UNEF 1 1/8"	651	274	895
175	1"	UNEF 1 1/8"	631	294	875
200	1 1/4"	UNEF 1 1/8"	853	329	1107
250	1 1/4"	UNEF 1 1/8"	828	354	1082
300	1 1/2"	UNEF 1 1/8"	890	405	1153
350	1 1/2"	UNEF 1 1/8"	1055	440	1315

Technical modifications are possible, dimensions in mm.
 Technische wijzigingen voorbehouden, maten in mm.
 Technische Änderungen vorbehalten, Maße in mm.
 Changements d'exécutions techniques réservés, dimensions en mm.
 Son posibles variaciones técnicas, dimensiones en mm.
 Sono possibili modifiche tecniche, dimensioni in mm.

BL-MZC

Dimensions BL MZC & BL Dairy MZC

BL.M.05.00.C



* Standard pre-drilled for cast iron
 Standaard voorgeboord bij gietijzer
 Standard vorgebohrt in Gusseisen
 Perçages standard sur les versions fonte
 Standard pre-taladrado para fundición de Fe
 Standard preforato per ghisa

** Air purge connection
 Aansluiting luchtfichting
 Luftspülanschluss
 Connexion insufflation d'air
 Entrada aire fluidificación
 Ingresso aria di flussaggio

Type BL	Ltr/rev	ØA	DIN			ANSI			E	F	G	H	J	P	Q	R	S	W
			ØB	D	ØC	ØB	D											
150	2,5	150	240	8xØ23	285	241,3	8xØ22,2	12	295	155	143	65	110	140	100	154	4xØ12	
175	5,5	175	270	8xØ23	315	—	—	14	340	175	165	75	130	160	130	190	4xØ14	
200	10,5	200	295	8xØ23	343	298,4	8xØ22,2	14	410	215	198	90	160	200	160	230	4xØ18	
250	19	250	350	12xØ23	406	361,9	12xØ25,4	16	470	245	223	100	170	210	200	274	4xØ18	
300	34	300	400	12xØ23	483	431,8	12xØ25,4	21	565	295	225	120	190	240	260	350	4xØ23	
350	58	350	460	16xØ23	530	476,2	12xØ28,6	26	665	335	270	132	220	270	310	410	4xØ23	

Type BL	X**	Y	Z*	Z Dairy*	Dairy						
					T	LL	T	LL(max)	RR	SS	ZZ
150	1/4" (Ø10)	40	3/4"	UNEF 1 1/8"	466	35	420	50	651	274	895
175	1/4" (Ø10)	53	1"	UNEF 1 1/8"	506	50	460	65	631	294	875
200	1/4" (Ø10)	65	1 1/4"	UNEF 1 1/8"	576	50	534	80	853	329	1107
250	1/4" (Ø10)	75	1 1/4"	UNEF 1 1/8"	626	70	584	100	828	354	1082
300	3/8" (Ø10)	95	1 1/2"	UNEF 1 1/8"	684	100	684	125	890	405	1153
350	3/8" (Ø10)	112	1 1/2"	UNEF 1 1/8"	754	125	754	150	1055	440	1315

Other DMN-WESTINGHOUSE products:



AL



BL-DAIRY



AML



GL



DL



MLD-MALD-MGLD



SAL



TDV



M-TDV



FDV



PTD



FVV



GPD



SC



OS / GOS

DMN-WESTINGHOUSE have been designing and manufacturing rotary valves, diverter valves and other related components for the bulk solids handling industry for more than 30 years. Offering tailor made solutions for chemical, food, plastics and pharmaceutical industries, DMN-WESTINGHOUSE products are distributed worldwide. Besides an extensive range of standard components, we supply USDA accredited sanitary versions and ATEX approved explosion-proof models.

An extensive network of subsidiaries, distributors and representatives ensures a high level of service and support all over the world.

Head Office:
DMN Machinefabriek Noordwykerhout BV
 PO Box 6, NL - 2210 AA Noordwykerhout, Holland
 Tel. +31 252 361 800
 Fax +31 252 375 972/934
 dmn@dmn-nw.nl

DMN Incorporated
 3895 South Perkins Road, Suite 8
 Memphis, TN 38118, USA
 Tel. +1 901 360 1537
 Fax +1 901 360 0348
 dmnfo@dmn-inc.com

DMN Schüttguttechnik GmbH
 Rütgersstrasse 8
 D-21244 Buchholz i.d. Ndh, Germany
 Tel. +49 4181 931 40
 Fax +49 4181 931 490
 dmn@dmn-schuettguttechnik.de

DMN UK Ltd
 Unit 1&2, Harris Road,
 Porte Marsh Industrial Estate
 Calne, Wiltshire, SN 11 9PT, UK
 Tel. +44 1249 818 400
 Fax +44 1249 818 410
 dmn@dmnuk.com

DMN France SAS
 65, rue Charles de Gaulle
 91330 Yerres, France
 Tel: +33 1 69 49 85 70
 Fax: +33 1 69 49 85 79
 dmnfrance@wanadoo.fr

www.dmn.info