

PTD

- Pressure shock resistant up to 10 bar*
- Two channel design
- Minimal maintenance
- Quick clean version available
- Compact form
- User friendly design
- No moving parts on the outside
- Pressure up to 3 bar g with static seals
- Sizes 50-150 up to 6 bar g with inflatable seals
- Versions conforming to ATEX 94/9/EC available



PTD with inflatable seals



PTD with static seals



PTD Plug Type Diverter

The DMN-WESTINGHOUSE PTD plug type diverters have been specially designed to route powders and pellets with minimum degradation in pneumatic conveying systems. The PTD plug type diverter is applied in the chemical, pharmaceutical, plastic, food and other related industries.

A smooth passage of products is guaranteed by precision machining, a good sealing and a complete obstruction free passage.

The user friendly fool proof design enables fast in situ internal examination, cleaning and, if necessary, replacement of seals.

The PTD design conforms to all current legislation regarding safety in the workplace. Consequently there are no moving parts on the outside.

The PTD is available in 7 different pipe sizes: Ø 50, 65, 80, 100, 125, 150 and 200 mm.

* Size 200 excluded

Product information

The PTD plug type diverter consists of an aluminium housing and end covers in which a plug with two pipes is installed. All product contact surfaces are made from stainless steel AISI 316 / DIN 1.4404. Three FDA approved silicone seals guarantee the sealing between housing and plug. The body is pressure tight, so ensuring no leakage to atmosphere. The standard diverter can be used in systems with positive pressures up to 3 bar g (static seals). The sizes 50-150 are optionally available for pressures up to 6 bar g (inflatable seals).

The PTD is supplied with a complete electro pneumatic control system, including solenoids and inductive position sensors.

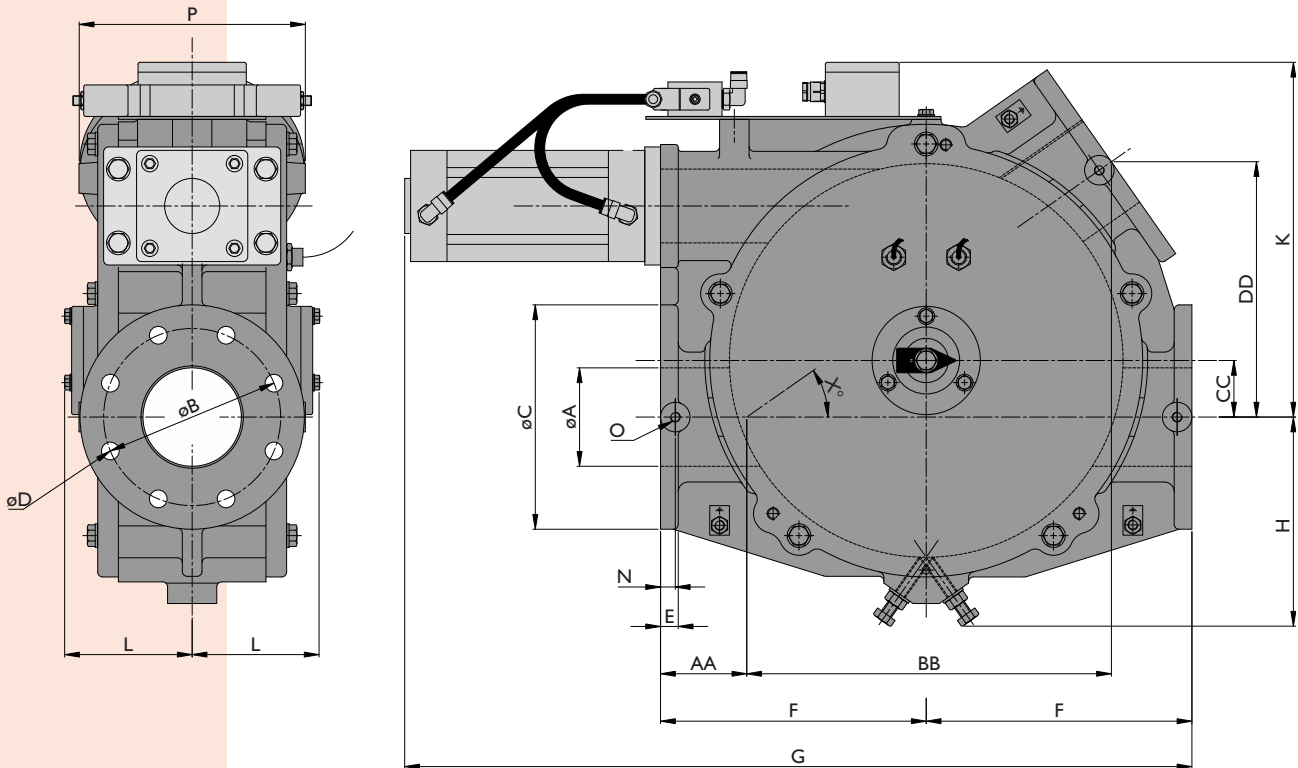
The standard diverter can be used for product temperatures ranging from -25 °C up to +80 °C at ambient temperatures of -10 °C up to +40 °C. Versions for higher temperatures are available on request.

DMN
WESTINGHOUSE

PTD

Technical modifications are possible, dimensions in mm

PTD.M.01.03.F



DMN-WESTINGHOUSE have been designing and manufacturing rotary valves, diverter valves and other related components for the bulk solids handling industry for more than 30 years. Offering tailor made solutions for chemical, food, plastics and pharmaceutical industries, DMN-WESTINGHOUSE products are distributed worldwide.

Besides an extensive range of standard components, we supply USDA accredited sanitary versions and ATEX approved explosion-proof models.

An extensive network of subsidiaries, distributors and representatives ensures a high level of service and support all over the world.

| Type PTD | ØA | DIN | | | ANSI | | | E | F | G | H | K | L | N | O | P | X° | AA | BB | CC | DD |
|----------|-----|-----|-------|-----|-------|---------|----|-----|------|-----|-----|-----|------|--------|-----|------|-----|-----|-------|-----|----|
| | | ØB | D | ØC | ØB | D | D | | | | | | | | | | | | | | |
| 50 | 50 | 125 | 4xØ18 | 165 | 120,6 | 4xØ19 | 16 | 205 | 618 | 170 | 268 | 112 | 12,5 | M10x20 | 170 | 33,5 | 89 | 268 | 35,0 | 177 | |
| 65 | 65 | 145 | 4xØ18 | 185 | 139,7 | 4xØ19 | 16 | 215 | 678 | 180 | 291 | 117 | 12,5 | M10x20 | 190 | 36,7 | 87 | 275 | 42,5 | 205 | |
| 80 | 80 | 160 | 8xØ18 | 200 | 152,4 | 4xØ19 | 18 | 255 | 768 | 195 | 327 | 127 | 15 | M10x20 | 205 | 36,6 | 108 | 322 | 48,5 | 240 | |
| 100 | 100 | 180 | 8xØ18 | 228 | 190,5 | 8xØ19 | 18 | 270 | 813 | 225 | 361 | 130 | 15 | M10x20 | 230 | 35,0 | 88 | 370 | 57,5 | 260 | |
| 125 | 125 | 210 | 8xØ18 | 250 | 215,9 | 8xØ22,2 | 20 | 335 | 991 | 265 | 433 | 149 | 17,5 | M12x24 | 255 | 35,5 | 116 | 451 | 70,0 | 322 | |
| 150 | 150 | 240 | 8xØ22 | 285 | 241,3 | 8xØ22,2 | 20 | 375 | 1061 | 295 | 480 | 166 | 20 | M12x24 | 292 | 35,8 | 120 | 511 | 82,5 | 369 | |
| 200 | 211 | 295 | 8xØ22 | 343 | 298,4 | 8xØ22,2 | 25 | 500 | 1296 | 380 | 618 | 199 | 25 | M12x20 | 350 | 34,8 | 133 | 712 | 115,0 | 495 | |

© DMN - HOLLAND - 04/05



Head Office:

DMN Machinefabriek Noordwykerhout BV
 PO Box 6, NL - 2210 AA Noordwijkerhout, Holland
 Tel. +31 252 361 800
 Fax +31 252 375 972/934
 dmn@dmn-nwh.nl

DMN Incorporated
 3895 South Perkins Road, Suite 8
 Memphis, TN 38118, USA
 Tel. +1 901 360 1537
 Fax +1 901 360 0348
 dmninfo@dmn-inc.com

DMN UK Ltd
 Unit 1&2, Harris Road,
 Porte Marsh Industrial Estate
 Calne, Wiltshire, SN 11 9PT, UK
 Tel. +44 1249 818 400
 Fax +44 1249 818 410
 dmn@dmnuk.com

DMN Schüttguttechnik GmbH
 Rütgersstrasse 8
 D-21244 Buchholz i.d. Ndh, Germany
 Tel. +49 4181 931 40
 Fax +49 4181 931 490
 dmn@dmn-schuettingtechnik.de

DMN France SAS
 65, rue Charles de Gaulle
 91330 Yerres, France
 Tel: +33 1 69 49 85 70
 Fax: +33 1 69 49 85 79
 dmnfrance@wanadoo.fr

www.dmn.info

